

# Well Construction

## Frank's Tubular Running Services (TRS)

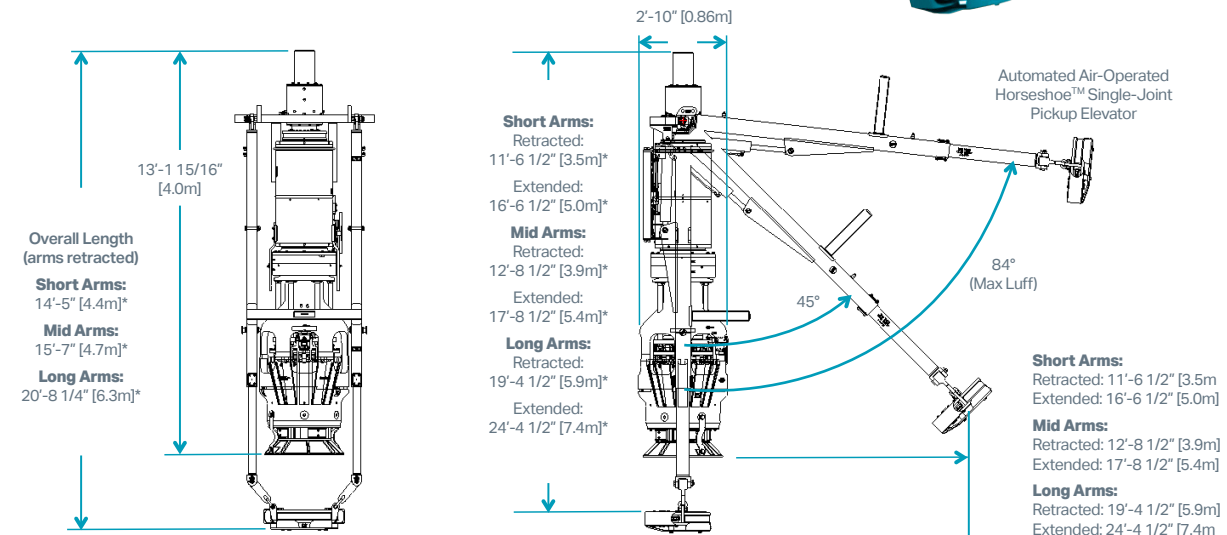
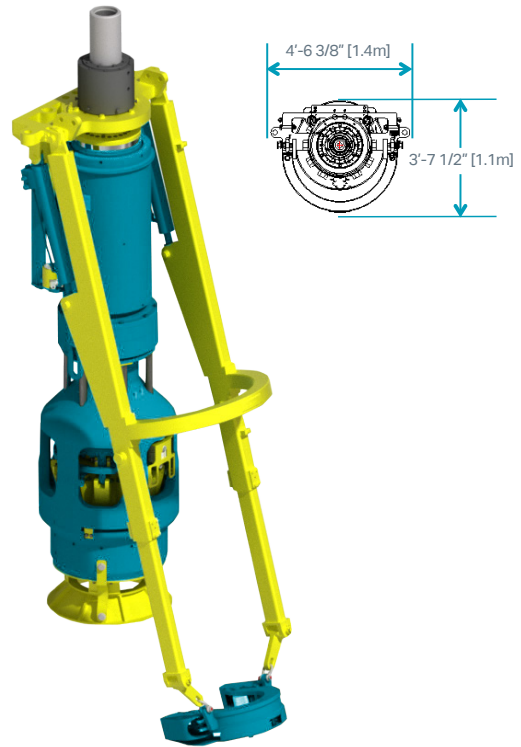
### FX-500 and FX-600 Top Drive Casing Running Tools

- Fills, rotates, circulates and reciprocates the casing string simultaneously, thus improving the ease with which casing strings are run to desired target depth, even with troublesome or difficult hole conditions
- Patented thread compensator assists with thread / make-up integrity. Reduces potential for thread damage during make-up
- Equipped with PRAYING MANTIS® Pipe Pick-Up Arms & automated HORSESHOE® Single-joint Pickup elevator

#### Features and Benefits

##### Designed to meet or exceed API 8C requirements

- Control panel operates patented FX-500/600, PRAYING MANTIS® Pipe Pick-Up Arms, HORSESHOE® Single-joint Pick-up elevator and spider
- Patented Interlock functionality ensures that either the spider or FX-500/600 slips are directed to the set position at all times, reducing the risk of dropped pipe
- Graphic layout for advanced functionality, displays slip position, pipe end position, HORSESHOE® Single-joint set/unset, and fault detection
  - Separate displays for both operator and driller
  - Electronic packages meet Atex Zone 1 and 2, or UL div 2



\*Dimensions are the same for the 7" - 14" HORSESHOE® Assemblies



# Well Construction

## Frank's Tubular Running Services (TRS)

### FX-500 and FX-600 Top Drive Casing Running Tools

Specifications	
Casing Size Range	7 inches - 14 inches [178 - 356 millimeters]
Hoisting Capacity (API 8C) (May be limited by top drive crossover sub.)	FX-500: 500 tons [454 tonne] FX-600: 600 tons [544 tonne]
Push Down Force Capacity	56,500 lbs [25,628 k]
Torque Capacity	65,000 ft-lbs [88,128 Newton-meters]
RPM, Continuous	85
RPM, Maximum	100
Thread Compensation	9 in. [229 mm]
Overall Length (Long Arms - Retracted)	20 ft. - 8.25 in. [6.3 mm]
Overall Length (Mid Arms - Retracted)	15 ft. 7 in. [4.7 mm]
Overall Length (Short Arms - Retracted)	14 ft. 5 in. [4.4 mm]
Weight	13,750 pounds (est.) [6,236 k]
Through Bore	2 in. [51 mm]
Pressure Rating (May be limited by the packer cup)	5,000 pounds per square in. [345 bar]
PRAYING MANTIS® Pick-up Arms (Hoist Capacity)	5 tons [4.54 ton]
PRAYING MANTIS® Pick-up Arm Length	See diagram - page 1
Maximum Rotating Diameter	34 3/4 in. [883 mm]
Top Connection	6 5/8 in. REG
Extended Range Capability	1 1/8 in. [29 mm]
Circulation Rate Max (BBL/minute) (with valve removed)	20

Incorporates Fill-Up and Circulation Functions



# Well Construction

Frank's Tubular Running Services (TRS)

**Datasheet title**



**This page is intentionally blank**

Date 08/2023 | Revision 1.0